

DS-2TP21B-6AVF/W

Body Temperature Measurement Camera



The handheld thermal camera, specially designed for body temperature measurement. It's equipped with a 160×120 resolution thermal detector. It is capable to discover and track people with higher body temperature among the crowded public area, it can be widely used in places such as customs, airport, school and hospital for inspection and quarantine.

Key Feature

- 160 × 120 resolution (thermal), and 8 MP resolution (optical)
- Thermographic accuracy up to ± 0.5 °C
- Display fusion of thermal view and optical view.
- 640 × 480 resolution 3.5" LCD touch display
- Support live view on PC, mobile device or external monitor
- Support audio intercom
- Support color highlight alarm and audio alarm



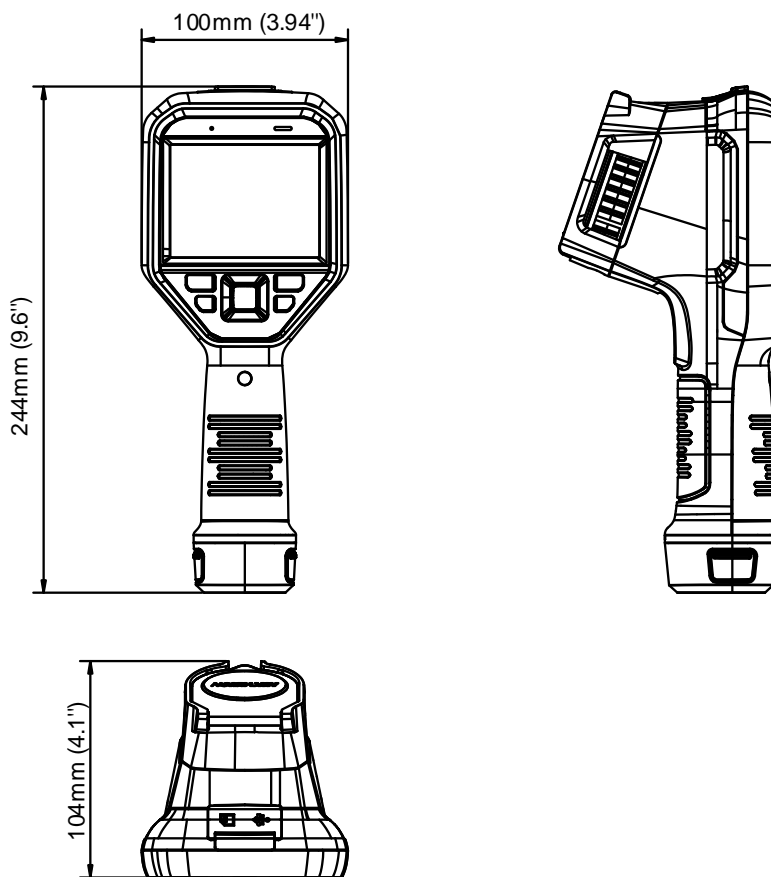
Specification

| | | Model | DS-2TP21B-6AVF/W |
|------------------|------------------------|---|------------------|
| Parameter | | Thermographic Handheld Camera | |
| Thermal Module | Image sensor | Uncooled Focal Plane Arrays | |
| | Resolution | 25Hz: 160 × 120 | |
| | Pixel Pitch | 17μm | |
| | Response waveband | 8μm to 14μm | |
| | NETD | < 40 mk (@ 25 °C,F#=1.0) | |
| | Field of View | 25° × 18.7° | |
| | Focal length | 6.2 mm (Manual focus) | |
| | IFOV | 2.74 mrad | |
| Optical Module | Aperture | F 1.1 | |
| | Picture Resolution | Configurable: 2 MP, 5 MP, 8 MP | |
| | Video Resolution | 640 × 480 | |
| | Monitor | 640 × 480 resolution 3.5'' LCD touch display | |
| Image Display | Palettes | Black hot, White hot, Red hot, Rainbow, Ironbow, Fusion, Rain | |
| | Digital Zoom | Thermal: 1×, 2×, 4× | |
| | Thermal / Optical | Thermal/Optical/Fusion image/Picture in picture | |
| | Picture in Picture | Support Thermal View in Optical View | |
| | Fusion | Support (Thermal View and Optical View Combined) | |
| | Record Video | Support on-board video recording | |
| Thermography | Rules | Max. Temperature; Min. Temperature; Center Temperature; Custom Point/Line/Area Thermography | |
| | Range | 30°C to 45 °C | |
| | Accuracy | ±0.5° C | |
| Battery | Battery Type | Dismountable and rechargeable Li-ion Battery | |
| | Battery Operating Time | 5 hours in normal temperature, with Wi-Fi, Bluetooth, and supplement light off. | |
| | | 4 hours in normal temperature, with Wi-Fi, Bluetooth, and supplement light on. | |
| | Storage | Built-in memory module (16 G) | |
| | Photo | Thermal/Optical/Fusion image | |
| | Video | Thermal/Optical/Fusion image | |
| | Wi-Fi | Support | |
| | Text Comment | Support | |
| Voice Comment | Support | | |
| General | Language | English | |
| | Power | 5 VDC/2 A | |
| | Power Consumption | Max. 4.5 W | |
| | Hardware Interface | Type-C Interface | |
| | Working Temperature | 15°C to 35 °C | |
| | Protection level | IP54 | |
| Drop Test Height | 2 m (6.56 feet) | | |

| | |
|-----------|---|
| Dimension | 244 mm × 100 mm × 104 mm (9.6 " × 3.9 " × 4.1 ") |
| Weight | With Battery: 653 g (1.44 lb) Without Battery: 511 g (1.13 lb) |

Available Model

DS-2TP21B-6AVF/W

Dimension

Distributed by



testoon.COM
The measurement website

99 rue Beranger 92320 Chatillon - France
Tel. : +33 (0) 1 71 16 17 00 E-mail: contact@testoon.com
www.testoon.com

HIKVISION**Headquarters**

No.555 Qianmo Road, Binjiang District,
Hangzhou 310051, China
T +86-571-8807-5998
overseasbusiness@hikvision.com

Hikvision USA
T +1-909-895-0400
sales.usa@hikvision.com

Hikvision Italy
T +39-0438-6902
info.it@hikvision.com

Hikvision Singapore
T +65-8684-4718
sg@hikvision.com

Hikvision Africa
T +27 (0) 0351172
sale.africa@hikvision.com

Hikvision Europe
T +31-23-55-42-770
info.eu@hikvision.com

Hikvision France
T +33(0)1-85-330-450
info.fr@hikvision.com

Hikvision Oceania
T +61-2-8598-4233
salesau@hikvision.com

Hikvision Hong Kong
T +852-2151-1761

Hikvision Middle East
T +971-4-8816086
salesme@hikvision.com

Hikvision Spain
T +34-91-737-16-55
info.es@hikvision.com

Hikvision Canada
T +1-909-895-0400
sales.usa@hikvision.com

Hikvision Russia
T +7-495-669-67-99
saleru@hikvision.com

Hikvision Poland
T +48-22-460-01-50
poland@hikvision.com

Hikvision Korea
T +82-31-731-8841
sales.korea@hikvision.com

Hikvision India
T +91-22-28469800
sales@pramahikvision.com

Hikvision UK
T +01628-902140
support.uk@hikvision.com

Hikvision Brazil
T +55 11 3318-0050
Latam.support@hikvision.com